



**FIXED HIP OR RIDGE WITH MODIFIED J - CHANNEL**

DETAIL NO.

**EXM-R-2**

MATERIAL : STEEL/ALUMINUM  
(866) 337-4599 www.exceptionalmetals.com

ACCEPTABLE SYSTEMS: DefendEX SS1500, DefendEX SS2000, DefendEX SL1500, DefendEX SL1750  
MAXIMUM WARRANTY: 20 YEARS

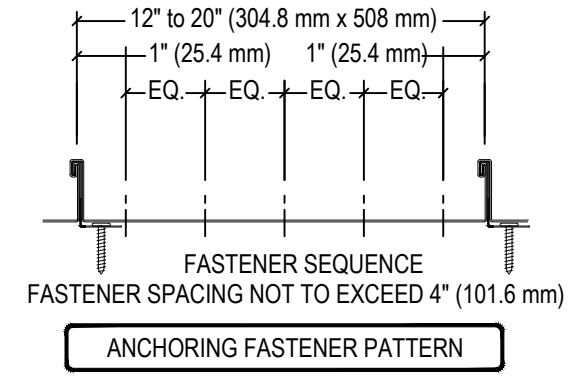
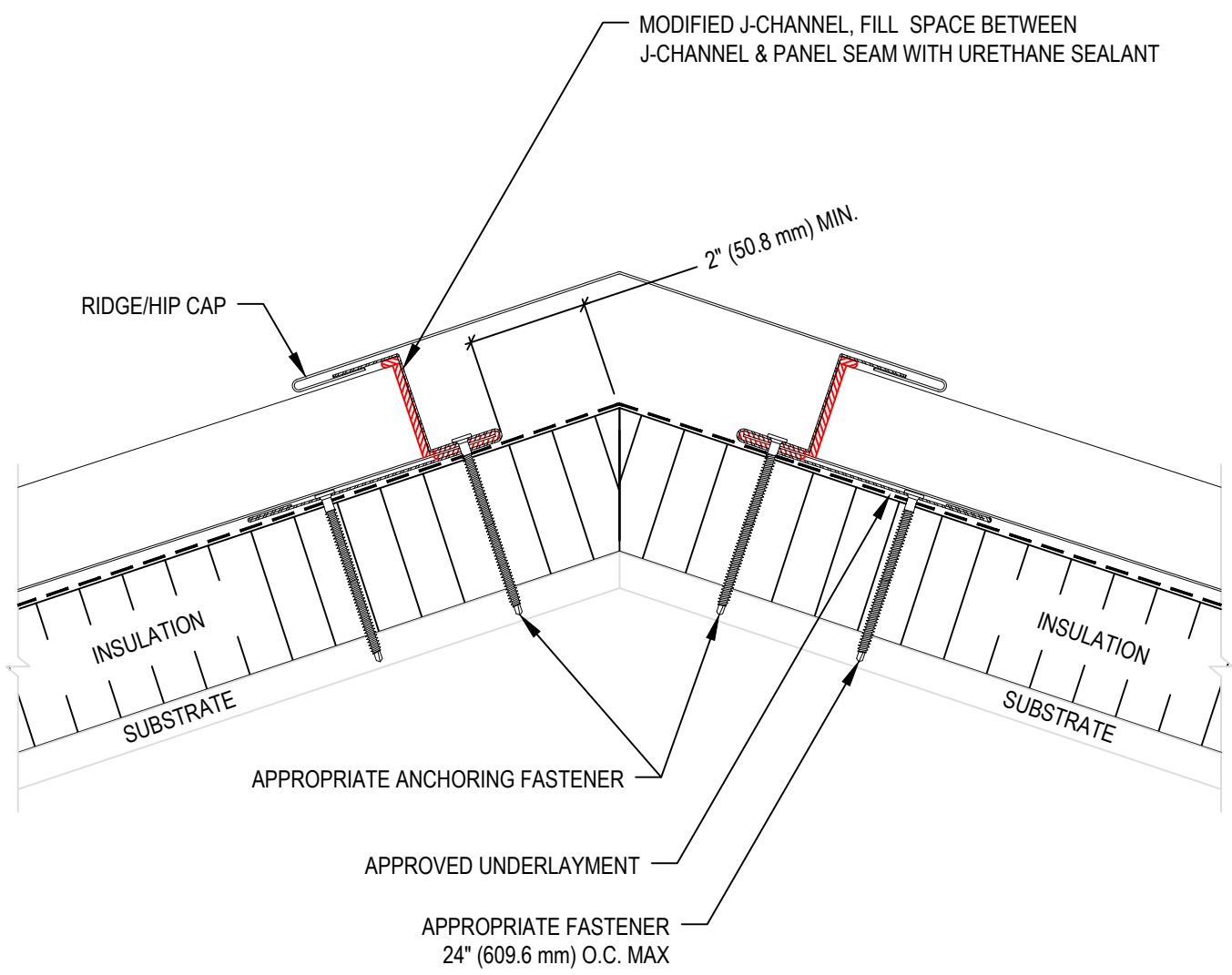
ISSUE / REVISION DATE:  
**02/09/2026**

NOT TO SCALE

**NOTE:**

1. REFER TO THE EXCEPTIONAL METALS WEBSITE FOR MOST CURRENT INFORMATION.
2. REFER TO TECHNICAL INFORMATION SHEETS FOR FASCIA SIZES, ACCESSORIES, AND FINISHES AVAILABLE.
3. REFER TO THE EXCEPTIONAL METALS WEBSITE FOR FASTENER/METAL COMPATIBILITY.
4. APPLICATION DETAILS ARE FOR ILLUSTRATION PURPOSES ONLY AND MAY NOT BE APPROPRIATE FOR ALL BUILDING DESIGNS AND CONDITIONS.

**THIS DETAIL APPLIES TO ALL WARRANTED DEFENDEX ROOF SYSTEMS (SS1500, SS2000, SL1500, SL1750)**



**FOR WARRANTY PERIODS GREATER THAN 20 YEARS REFER TO METAL QUICK SPECS FOR MINIMUM REQUIREMENTS.**