



FIXED HEADWALL WITH Z - CLOSURE AT REGLET

DETAIL NO.
EXM-HW-1

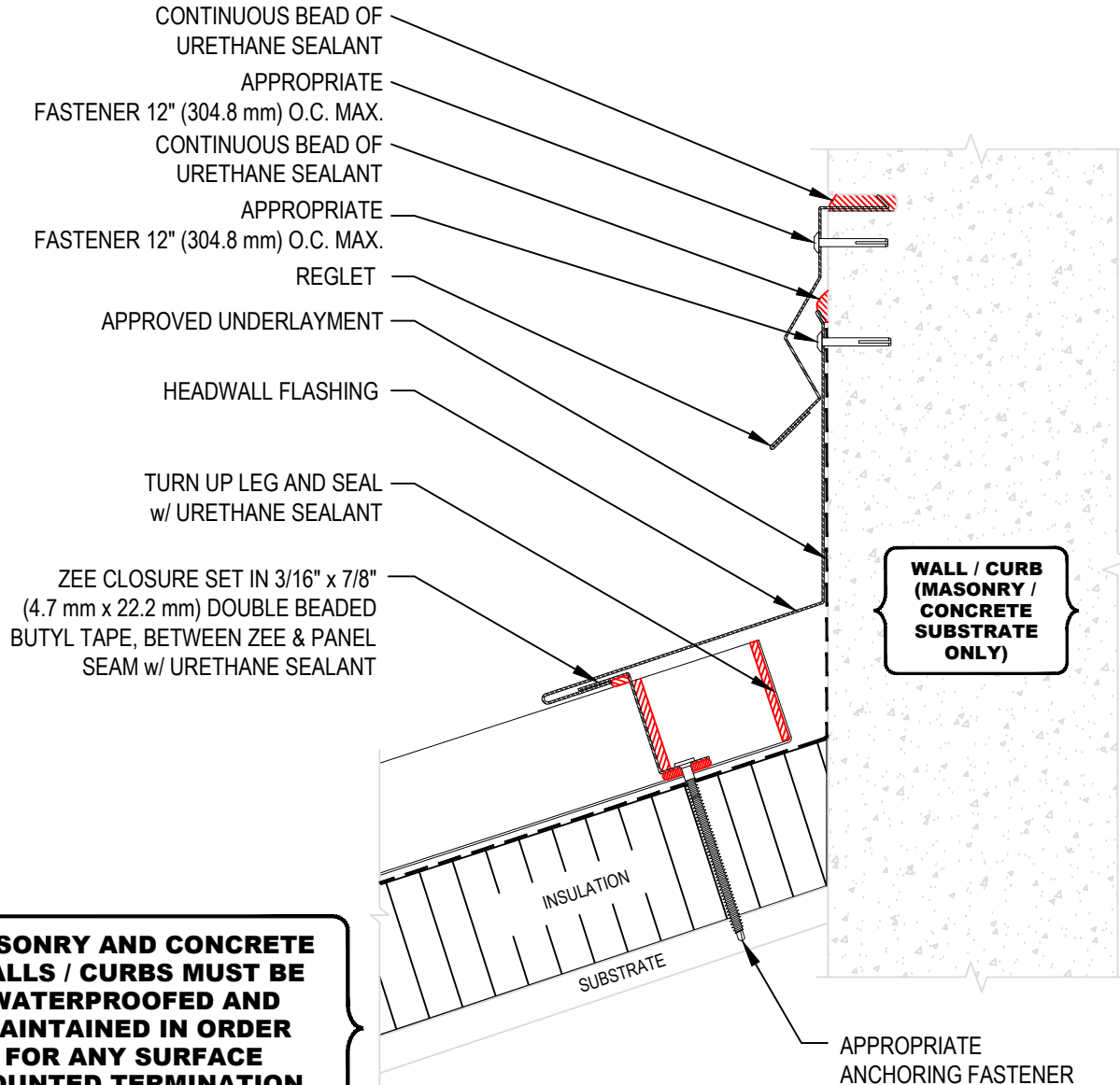
MATERIAL : STEEL/ALUMINUM
(866) 337-4599 www.exceptionalmetals.com

ACCEPTABLE SYSTEMS: DefendEX SS1500, DefendEX SS2000, DefendEX SL1500, DefendEX SL1750

ISSUE / REVISION DATE:
02/09/2026

MAXIMUM WARRANTY: 20 YEARS

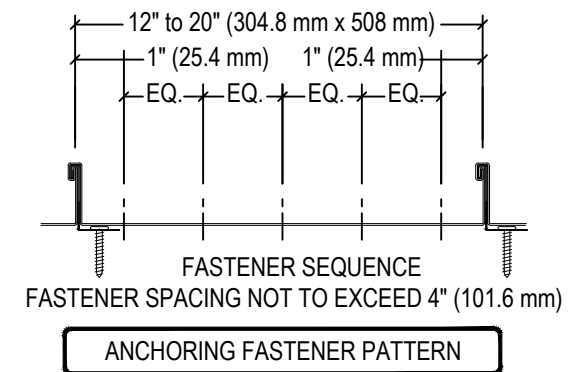
NOT TO SCALE



NOTE:

1. REFER TO THE EXCEPTIONAL METALS WEBSITE FOR MOST CURRENT INFORMATION.
2. REFER TO TECHNICAL INFORMATION SHEETS FOR FASCIA SIZES, ACCESSORIES, AND FINISHES AVAILABLE.
3. REFER TO THE EXCEPTIONAL METALS WEBSITE FOR FASTENER COMPATIBILITY WITH METAL.
4. FIELD NOTCH ZEE CLOSURES. SET ZEE CLOSURE IN BUTYL TAPE AND SEAL AROUND REMAINING EDGES OF ZEE WITH URETHANE SEALANT.
5. APPLICATION DETAILS ARE FOR ILLUSTRATION PURPOSES ONLY AND MAY NOT BE APPROPRIATE FOR ALL BUILDING DESIGNS AND CONDITIONS.

THIS DETAIL APPLIES TO ALL WARRANTED DEFENDEX ROOF SYSTEMS (SS1500, SS2000, SL1500, SL1750)



FOR WARRANTY PERIODS GREATER THAN 20 YEARS REFER TO METAL QUICK SPECS FOR MINIMUM REQUIREMENTS.

MASONRY AND CONCRETE WALLS / CURBS MUST BE WATERPROOFED AND MAINTAINED IN ORDER FOR ANY SURFACE MOUNTED TERMINATION TO BE EFFECTIVE.