

PITCHBREAK TRANSITION - STEEP TO LOW SLOPE

DETAIL NO.
EXM-PB-2
NOT TO SCALE

MATERIAL : STEEL/ALUMINUM

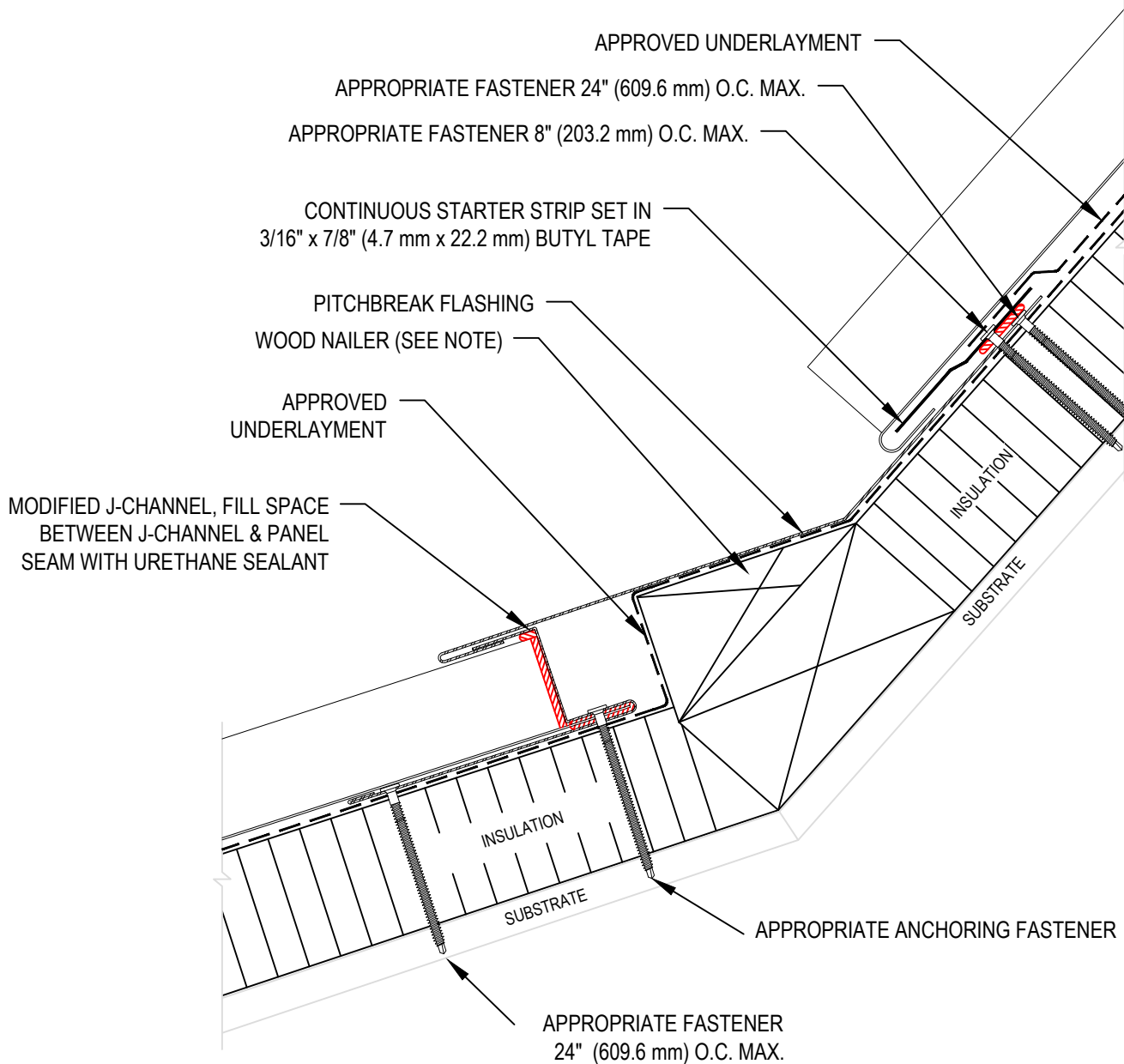
ACCEPTABLE SYSTEMS: DefendEX SS1500, DefendEX SS2000, DefendEX SL1500, DefendEX SL1750

ISSUE / REVISION DATE:

(866) 337-4599 www.exceptionalmetals.com

MAXIMUM WARRANTY: 20 YEARS

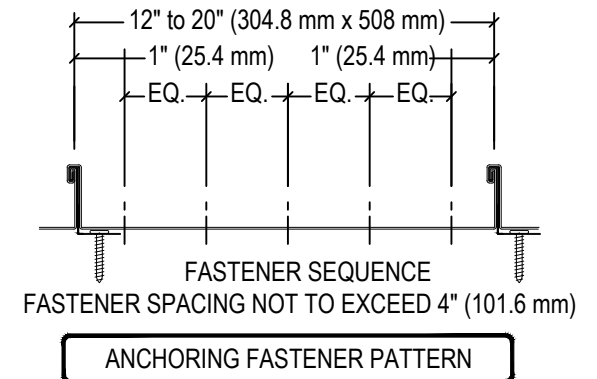
02/09/2026



NOTE:

1. REFER TO THE EXCEPTIONAL METALS WEBSITE FOR MOST CURRENT INFORMATION.
2. REFER TO TECHNICAL INFORMATION SHEETS FOR FASCIA SIZES, ACCESSORIES, AND FINISHES AVAILABLE.
3. WOOD NAILER MUST BE INSTALLED TO MEET APPLICABLE BUILDING CODES OR 200 LB PER LINEAR FOOT MINIMUM IN ANY GIVEN DIRECTION.
4. REFER TO THE EXCEPTIONAL METALS WEBSITE FOR FASTENER COMPATIBILITY WITH METAL.
5. REFER TO THE EXCEPTIONAL METALS WEBSITE FOR HEM LENGTH AND REQUIRED DISTANCE BETWEEN THE PANEL & CLEAT.
6. APPLICATION DETAILS ARE FOR ILLUSTRATION PURPOSES ONLY AND MAY NOT BE APPROPRIATE FOR ALL BUILDING DESIGNS AND CONDITIONS.

THIS DETAIL APPLIES TO ALL WARRANTED DEFENDEX ROOF SYSTEMS (SS1500, SS2000, SL1500, SL1750)



FOR WARRANTY PERIODS GREATER THAN 20 YEARS REFER TO METAL QUICK SPECS FOR MINIMUM REQUIREMENTS.